

# MT1022 Single point load cell 3kg~30kg



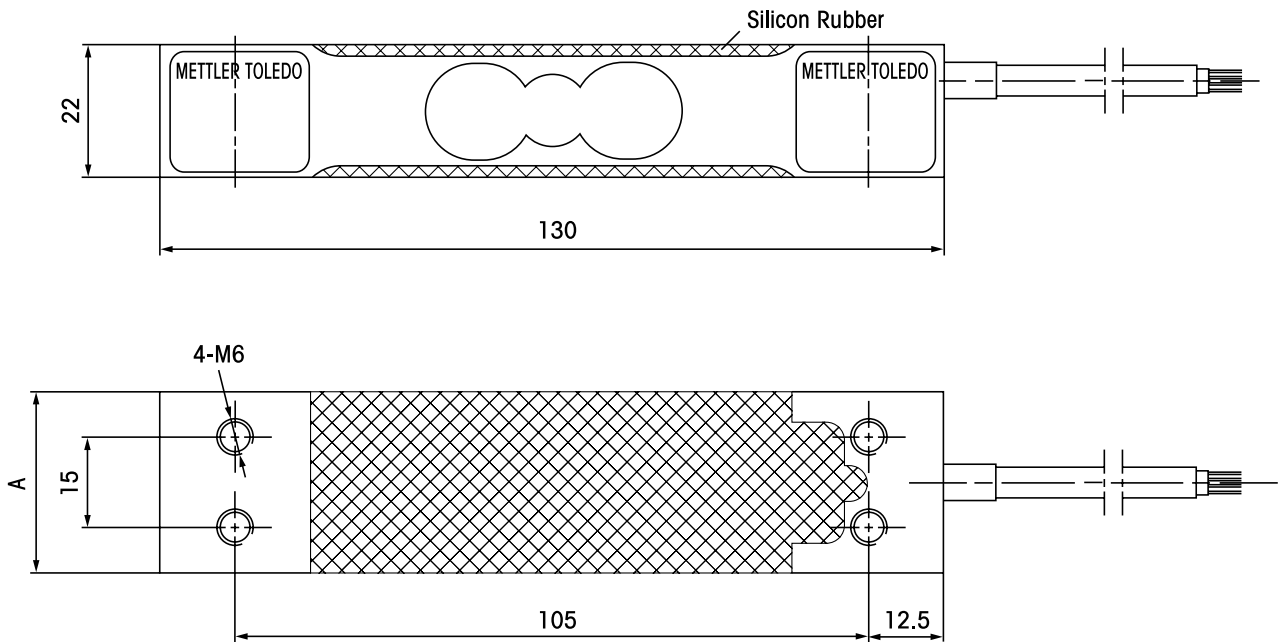
## Features:

- Single point aluminum load cell
- OIML R60 C3 approved
- Protection class IP 67
- Off center load compensated (OIML R76)
- Ideal for retail scales, packing and process weighing equipment

## Specification

Rated capacity	kg	3,5,7,10,15,20,30
Rated output	mV/V	2 ± 10%
Accuracy class		OIML R60 C3
Zero balance	%R.C.	≤ 10
Temp. Compensated range	°C	-10~+40
Operating temp. Range	°C	-20~+65
Input resistance	Ω	410 ± 10
Output resistance	Ω	350 ± 4
Insulation resistance	MΩ	≥ 5000(50V DC)
Recommended voltage	V(DC/AC)	5~15
Max. excit. voltage	V(DC/AC)	20
Safe overload	%R.C.	150
Ultimated overload	%R.C.	300
Protection class		IP67
Max. platform size	mm	350 x 350
Cable length	m	0.5

- 1) The combined maximum error due to nonlinearity, hysteresis and temperature effect on output, does not exceed the error limits to OIML-R60.
- 2) All relative errors specified refer to the output signal at nominal load.



Capacity	A
3kg, 5kg, 7kg	25.4
10kg, 15kg, 20kg, 30kg	30

Cable Color	Code
Green	+Excitation
Black	-Excitation
Red	+Signal
White	-Signal
Yellow(long)	Shield

**Mounting:**

Capacity (kg)	Tightening Torque (N-m)
≤7	5
>7	10