



Defender™ 3000

Bench Scales



Designed with affordability in mind, but with no compromise on quality!

The OHAUS Defender™ 3000 Series economy line of bench scales is ideal for general weighing and simple counting applications in production, packaging, warehouse, inventory, shipping and receiving areas. The Defender 3000 Series feature a simple, yet rugged, tubular-frame base design and indicators with tactile keys, backlit LCD display, built-in rechargeable battery operation and flexible mounting capabilities. The Defender 3000 Series is the solution to your weighing applications that require dependability within an affordable budget.

Standard Features Include:

- Four capacities: 60lb/30kg, 150lb/60kg, 300lb/150kg, and 600lb/300kg
- Maximum Resolution 1:6000-7500d
- 304 stainless steel pan with painted carbon steel frame and aluminum IP67 load cell
- Indicator features a high-impact durable ABS housing with reversible face for either wall, column or table-top mounting
- Adjustable non-slip rubber leveling feet with externally visible level indicator
- Multiple weighing units: lb, oz, lb:oz, kg, g
- Parts counting mode with selectable sample sizes, last sample size and Average Piece Weight data
- 1-in/25mm high LCD weight display with high-contrast backlight
- Built-in RS232 for printing and data connection
- AC adapter and internal rechargeable lead acid battery

Defender™ 3000 Bench Scales

Specifications

Models	D31P30BR	D31P60BR	D31P60BL	D31P150BL	D31P150BX	D31P300BX
Capacity x Readability (d)	60 lb x 0.01 lb 960 oz x 0.2 oz 60 lb x 0.2 oz (lb:oz) 30 kg x 0.005 kg 30000 g x 5 g	150 lb x 0.02 lb 2400 oz x 0.5 oz 160 lb x 0.5 oz (lb:oz) 60 kg x 0.01 kg 60000 g x 10 g	150 lb x 0.02 lb 2400 oz x 0.5 oz 160 lb x 0.5 oz (lb:oz) 60 kg x 0.01 kg 60000 g x 10 g	300 lb x 0.05 lb 4800 oz x 1 oz 300 lb x 1 oz (lb:oz) 150 kg x 0.02 kg 150000 g x 20 g	300 lb x 0.05 lb 4800 oz x 1 oz 300 lb x 1 oz (lb:oz) 150 kg x 0.02 kg 150000 g x 20 g	600 lb x 0.1 lb 9600 oz x 2 oz 600 lb x 2 oz (lb:oz) 300 kg x 0.05 kg 300000 g x 50 g
Maximum Displayed Resolution	1:6000	1:7500	1:7500	1:7500	1:7500	1:6000
Load Cell Protection	IP67					
Base Construction	304 stainless steel pan with painted carbon steel frame, non-slip rubber leveling feet					
Platform Dimensions (WxDx min H)	12 x 14 x 4.8 in / 305 x 355 x 123 mm	16.5 x 21.6 x 5.4 in / 420 x 550 x 136 mm	16.5 x 21.6 x 5.4 in / 420 x 550 x 136 mm	19.7 x 25.6 x 5.8 in / 500 x 650 x 147 mm	19.7 x 25.6 x 5.8 in / 500 x 650 x 147 mm	19.7 x 25.6 x 5.8 in / 500 x 650 x 147 mm
Front View Dimensions (F1 x F2 x F3 x F4 x F5)	8.2 x 6.5 x 12 x 4.8 x 3 x 10 in 210 x 166 x 305 x 123 x 75 x 256 mm	8.2 x 6.5 x 16.5 x 5.4 x 3.2 x 14.6 in 210 x 166 x 420 x 136 x 80 x 371 mm	8.2 x 6.5 x 16.5 x 5.4 x 3.2 x 14.6 in 210 x 166 x 420 x 136 x 80 x 371 mm	8.2 x 6.5 x 19.7 x 5.6 x 3.5 x 17.3 in 210 x 166 x 500 x 143 x 90 x 440 mm	8.2 x 6.5 x 19.7 x 5.6 x 3.5 x 17.3 in 210 x 166 x 500 x 143 x 90 x 440 mm	8.2 x 6.5 x 19.7 x 5.6 x 3.5 x 17.3 in 210 x 166 x 500 x 143 x 90 x 440 mm
Side View Dimensions (S1 x S2 x S3 x S4 x S5)	22.5 x 18.6 x 14 x 12 x 2 in 572 x 472 x 355 x 306 x 52 mm	36.2 x 26.3 x 21.7 x 19.7 x 2 in 920 x 668 x 550 x 500 x 52 mm	36.2 x 26.3 x 21.7 x 19.7 x 2 in 920 x 668 x 550 x 500 x 52 mm	36.2 x 29.1 x 25.6 x 23.2 x 2 in 920 x 740 x 650 x 590 x 52 mm	36.2 x 29.1 x 25.6 x 23.2 x 2 in 920 x 740 x 650 x 590 x 52 mm	36.2 x 29.1 x 25.6 x 23.2 x 2 in 920 x 740 x 650 x 590 x 52 mm
Column	13.8 in / 350 mm fixed height, tubular painted steel	27.6 in / 700 mm fixed height, tubular painted steel				
Leveling Component	Externally visible level bubble and adjustable leveling feet with locking nuts					
Safe Overload Capacity	125% of rated capacity					
Indicator Construction	ABS plastic housing					
Weighing Units	lb, oz, lb:oz, kg, g					
Functions	Weighing, Parts Counting					
Weight Display	6-digit, 7-segment backlit LCD, 1 inch / 25 mm high digits					
Keyboard	4 function mechanical keys, raised, tactile					
Stabilization Time	Within 2 seconds					
Auto-zero Tracking	Off, 0.5, 1 or 3 divisions					
Key Zeroing Range	2% or 100% of capacity					
Span Calibration	5 lb/kg to 100% of capacity, user selectable					
Power	AC adapter with 100-hour internal rechargeable lead acid battery included					
Interface	Bi-directional RS232C					
Operating Temperature Range	14°F to 104°F / -10°C to 40°C, Maximum relative humidity 80 % for temperatures up to 88°F / 31°C, decreasing linearly to 50 % relative humidity at 104°F / 40°C, non condensing					
Net Weight	26 lb / 12 kg	42 lb / 19 kg	42 lb / 19 kg	71 lb / 32 kg	71 lb / 32 kg	71 lb / 32 kg
Shipping Weight	33 lb / 15 kg	51 lb / 23 kg	51 lb / 23 kg	82 lb / 37 kg	82 lb / 37 kg	82 lb / 37 kg
Shipping Dimensions	25.3 x 19.6 x 8.5 in / 642 x 497 x 212 mm	33.7 x 22.2 x 8.9 in / 857 x 564 x 225 mm	33.7 x 22.2 x 8.9 in / 857 x 564 x 225 mm	40.2 x 27 x 9.7 in / 1022 x 687 x 247 mm	40.2 x 27 x 9.7 in / 1022 x 687 x 247 mm	40.2 x 27 x 9.7 in / 1022 x 687 x 247 mm

Features

ABS plastic housing with internal rib reinforcements, reversible front/rear cover, backlit LCD weight display, tactile mechanical keys, built-in bidirectional RS232C with manual/continuous/interval printing, hardware configuration lockout switch, internal lead-acid rechargeable battery and AC adapter. Software included for parts counting mode with selectable sample sizes, selectable span calibration points, averaging level, auto-zero tracking, battery saving auto-off, Geo Code geographical gravity calibration adjustment and software menu lockouts. Stainless steel pan with painted carbon steel tubular frame, non-slip rubber leveling feet with locking nuts, externally visible level bubble, aluminum IP67 load cell, down-stops for overload protection, hollow tubular painted steel columns.

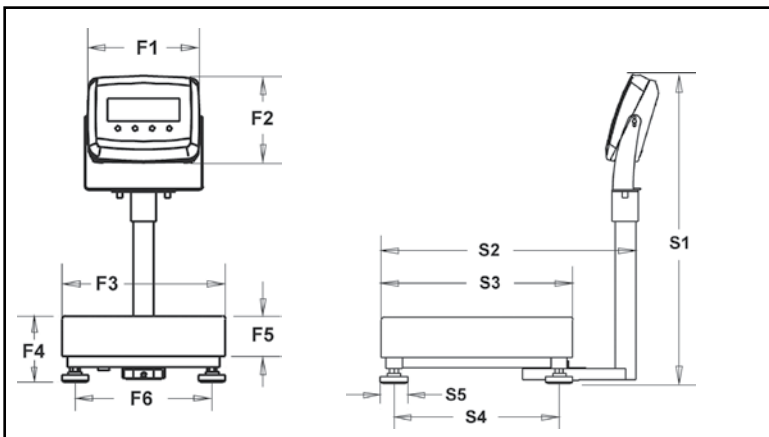
Accessories

Call OHAUS for information on printer and cable accessories

Compliance

- Safety and EMC: EN60950, EN61326, FCC Class A, CE (AC adapter), ^cUL_{US}
- Quality: OHAUS quality management system registered to ISO 9001:2000

Outline Dimensions



OHAUS CORPORATION

* 19A Chapin Road
P.O. Box 2033
Pine Brook, NJ 07058 USA

Tel: 800.672.7722
973.377.9000
Fax: 973.944.7177

www.ohaus.com

With offices throughout Europe,
Asia, and Latin America

* ISO 9001:2000
Registered Quality Management System

80774284_C © Copyright Ohaus Corporation

