

JC User Manual

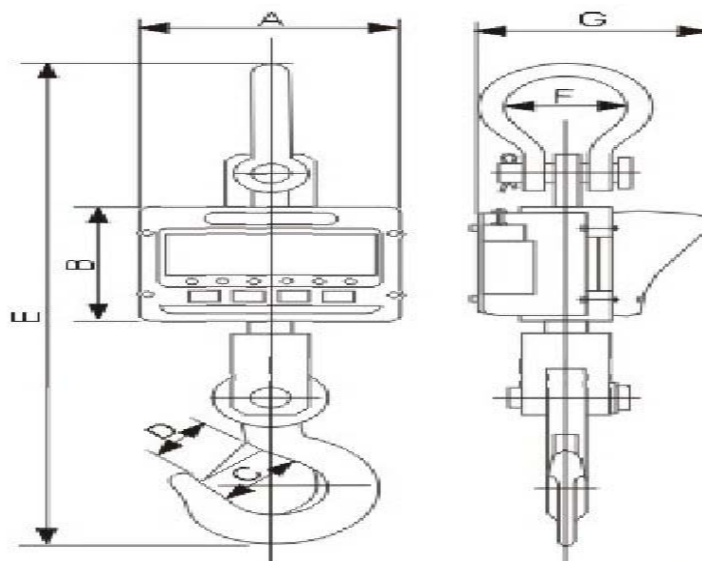
1. Introduction

This manual contains installation and operation instructions for the JC crane scale. Please read the manual completely before installation and operation.

2. Precautions

- Before using, please check and make sure every part is in good condition. Provided there is any broken, please inform your dealer
- Avoid sudden temperature changes (suitable operating temperature is between -10°C ~ 40°C .)
- Disconnect the power supply when cleaning the scale.
- Do not use the scale in the rain or heavily polluted environment.
- Never use the crane over the maximum permitted weight, it will cause danger of breaking.
- Always make sure that there are no living beings or materials below the load that could cause injured or damaged.
- Service should be performed by authorized personnel only.

3. Dimension



Model	A	B	C	D	E	F	G
JC-600	260	195	33	22	515	76	200
JC-1000	260	195	47	34	530	76	200
JC-2000	260	195	47	34	530	76	200
JC-3000	260	195	50	40	547	76	200
JC-5000	260	195	60	48	634	80	220
JC-10000	260	205	70	52	735	90	230

4. Specifications & Features

4-1 Specifications

Model	JC-600	JC-1000	JC-2000	JC-3000	JC-5000	JC-10000
Capacity(kg)	600	1000	2000	3000	5000	10000
Division 1 (kg)	0.2	0.5	1	1	2	5
Division 2 (kg)	0.1	0.2	0.5	0.5	1	2
Display	5 digits, 30mm character height, red backlit LED display					
Zero Range	100% Capacity					
Stabilization time	≤10s					
Maximum Safe Load	150% of full scale capacity					
Operating Temp.	-10°C ~ 40°C					
Humidity	30%~90%RH					
Power	6V10AH rechargeable battery					
Battery life	150 hours(8 hours charging time)					

4-2 Features

- 360°freely swiveling hook
- Die-casting aluminum housing with corrosion-proof and antistatic functions
- Auto shut off for power saving
- Wireless controller as a standard
- Anti-collision key design for a better key service time
- AT-89 processor and A/D Conversion Technology
- Anti-interference design

5. Keyboard

HOLD Hold the current weighing value

SWITCH Choose the division

ZERO Bring display value back to “0” during weighing

6. Operation

6-1 Power on

Press **ON/OFF** to power on. The display will first show the max capacity and then after 5

seconds it will turn back to zero and ready for operation

Note: It is recommended to allow scale 3-5min of warm-up time before starting weighing operation.

6-2 Zero

Press **ZERO** to zero the display

6-3 Weighing

Begin with no load on the scale, the display reading zero. Place item(s) to be weighted on the scale. The display will show the weight

6-4 Tare

Under the weighing mode, place the container on the scale. Press **ZERO** to tare.

6-5 Battery recharge

The charge lamp turns green from red when the recharging is completed

- When the battery indicator is flashing, it means the low battery. Please recharge. However, the scale can continue to operate for about 5hours without recharge
- After the battery indicator is on for several hours without recharge or there is no more power in the battery, the scale will be powered off automatically.
- After recharge, the screen still cannot display, it indicates that either there is difficulty in battery recharging or a damaged battery. Please contact the service person.

7. Calibration procedure

Note: make sure the standard the weights are available when doing calibration

1. Press **ZERO** when power on the crane scale, while "SPEN" is displayed on the screen
2. Press **ZERO** to enter the calibration, while "00000" is displayed on the screen
3. Press **HOLD** to choose the weighing value, press **SWITCH** to move the decimal point
Note: It is better to choose the value which is close to the max capacity.
4. Put on the corresponding weight
5. Press **ZERO** to save

8. Setting mode

1. Press **SWITCH** when power on the crane, while "bEE" is displayed on the screen
2. Press **HOLD** or **SWITCH** to shift the sound modes.
0= no sound 1= with sound
3. Press **ZERO** to move to hold function setting mode, while "H00" is displayed on the screen
4. Press **HOLD** or **SWITCH** to shift the hold modes.
0= no hold function 1=with hold function
5. Press **ZERO** to move to zero function setting mode, while "510" is displayed on the screen

6. Press **HOLD** or **SWITCH** to shift the zero modes.

0=zero function is allowed when not stable 1=zero function is not allowed when not stable

7. Press **ZERO** to move to saving setting, while “**OFF**” is displayed on the screen

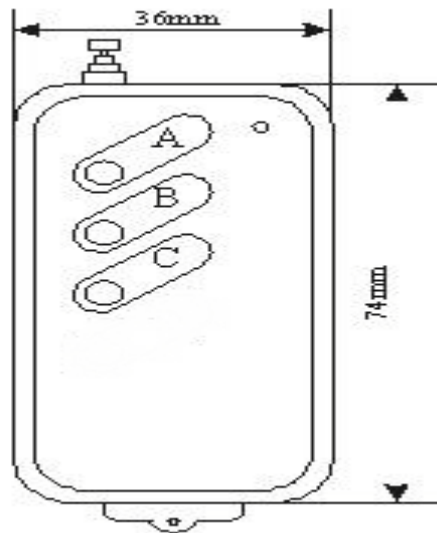
8. Press **HOLD** or **SWITCH** to shift the saving modes.

0=not save 1=save

9. Press **ZERO** to restart

9. Option

Controller description



- A** Choose division
- B** Hold function
- C** Zero function

Note: Pull out the aerial when using.