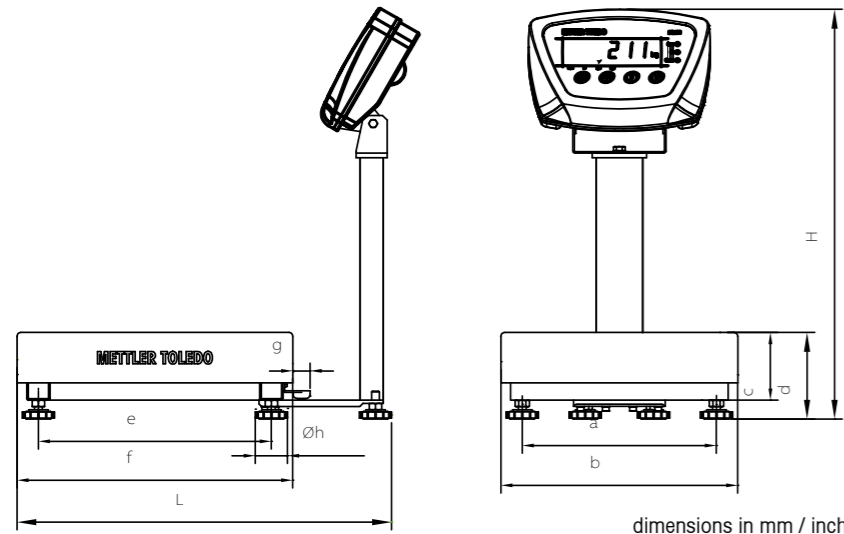


Dimensions of the scale

Side view

Front view



Model – Dimensions in mm/”	a	b	c	d	e	f	g	h	L	H
BBA211-5A	mm 175	240	67	88	251.5	300	21	42	428	≤528
	” 6.89	9.45	2.64	3.46	9.9	11.81	0.83	1.65	16.85	≤20.8
BBA211-5BA	mm 250	305	87	108	300	355	22	42	482	≤528
	” 9.84	12	3.42	4.25	11.81	13.98	0.87	1.65	18.98	≤20.8
BBA211-5CA	mm 365	420	108	128	495	550	22	42	677	≤848
	” 14.37	16.54	4.25	5.04	19.49	21.65	0.87	1.65	26.65	≤33.4

Bench Scale



BBA211 Bench Scale

- Power saving design
- Capacities from 3 to 300kg
- Display resolution 20000d
- Over/under checkweighing
- Reliable and robust design
- OIML and NTEP approved

www.mt.com

For more information

Energy efficient and economical
for your simple checkweighing applications

Mettler-Toledo AG
CH-8606 Greifensee
Switzerland
Tel. +41 44 944 22 11
Fax +41 44 944 30 60

Subject to technical changes
© 11/2008 Mettler-Toledo AG
Printed in Switzerland
MTSI 44099326

ServiceXXL
Tailored Services



METTLER TOLEDO

The power saving solution for demanding environments

The BBA211 is a scale for your simple weighing and over/under checkweighing tasks. The rugged and reliable design is suitable for many applications, such as parcel weighing, shipping/receiving and manufacturing. The energy efficient design provides a long operation time when powered using normal alkaline batteries (over 450 hours). This allows for flexible and self-contained operation anywhere in the facility. The BBA211 provides accurate weighing at the best possible price/performance ratio.



Simple and easy operation

The IP65 protected terminal of the BBA211 is easy to operate using its 4 keys (Zero, Tare, Functions, On/Off). A logically structured and simple to use software leads you through the different possible settings.



3 different colored LED indicators grants for any easy to verify status indication in any checkweighing application.

Good readability

The BBA211 features a large, high contrast 6 digit 25mm backlight LCD display providing clear readability.

Energy efficient

Due to the use of highly efficient electronic components, more than 450 hours of continuous battery operation can be obtained.



Technical specifications

Display	6-digit LCD, with white backlight Heights: 25mm/1", Max. resolution 20'000d
Readability certified	OIML Class III, 3000e / NTEP 1500d (1200d)
Readability uncertified	6000d
Internal Resolution	1/100'000
Power Supply	9V AC/DC Energy Star approved power converter
Battery	3 D-Batteries for 450 hours stand alone operation
Ingress Protection	Terminal: IP65 Platform/Load cell: IP65
Material	Terminal Housing: Plastic Platform Frame: Carbon steel, painted Load Plate: Stainless steel 21CT Stand: Carbon steel, painted
Load Cell	Aluminium
Applications/Features	Simple weighing, checkweighing, unit switch
Options	RS232 Interface (BBA211-5xx-1001)

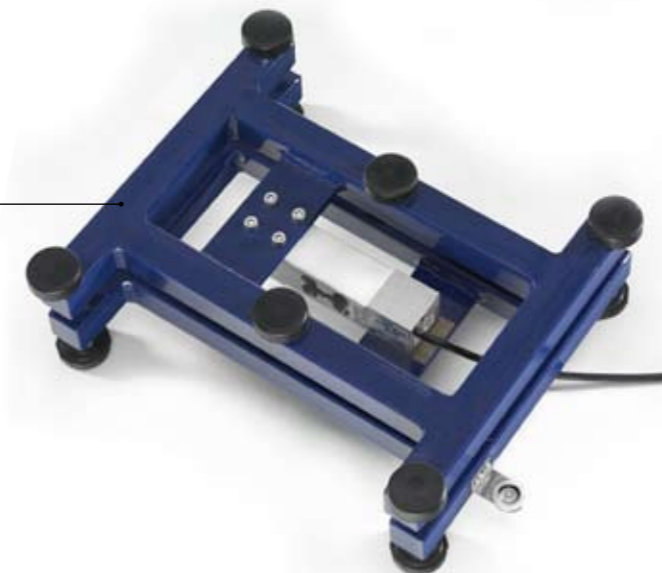
Standard configurations

Model	Platform size	Max. weighing capacity							Cable length
BBA211-5A	240 x 300 mm 9.5" x 11.8"	3 kg / 6 lb	6 kg / 15 lb	15 kg / 30 lb					1m / 3.3ft
BBA211-5BA	305 x 355 mm 12" x 14"				30 kg / 60 lb	60 kg / 150 lb			2m / 6.6ft
BBA211-5CA	420 x 550 mm 16.5" x 21.6"					60 kg / 150 lb	150 kg / 300 lb	300 kg / 600 lb	2m / 6.6ft
Certifiable resolution 1x3000e / 1x1500d (1200d)									
e1/max1		1 g / 0.005 lb	2 g / 0.01 lb	5 g / 0.02 lb	10 g / 0.05 lb	20 g / 0.1 lb	50 g / 0.2 lb	100 g / 0.5 lb	
Min. capacity		20 g / 0.1 lb	40 g / 0.2 lb	100 g / 0.4 lb	200 g / 1 lb	400 g / 2 lb	1 kg / 4 lb	2 kg / 10 lb	

Model designation example: Size 240x300 mm / 3 kg: BBA211-5A3

Zero setting range = 2% of max. capacity
Temperature range = -10°C to +40°C / 14°F to 104°F

Preload range = 18% of max. capacity
Taring range subtractive from 0 to max. capacity



Robust and reliable design

Highly durable platform due to its painted tubular steel frame. Easy leveling and high reliability thanks to adjustable feet's and optimal placed overload stops.