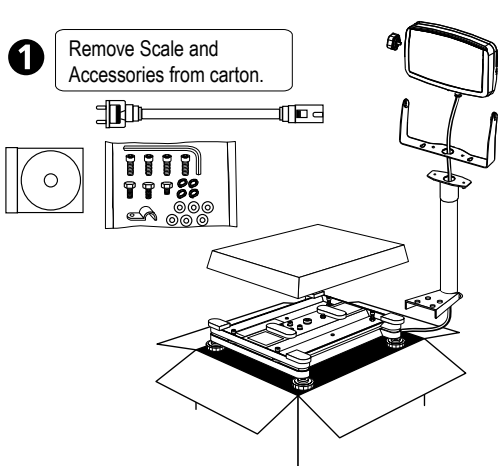
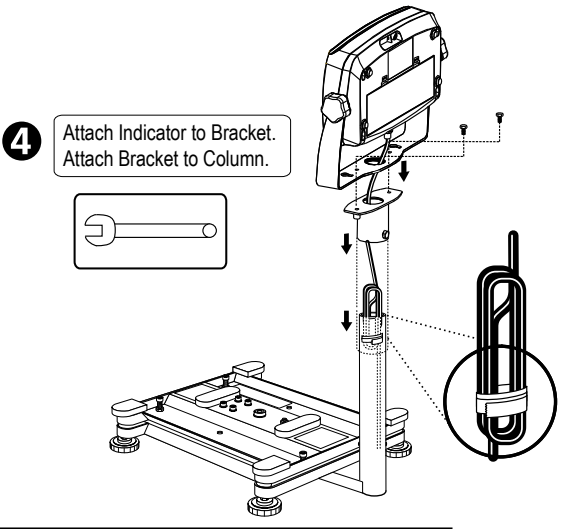



ASSEMBLY

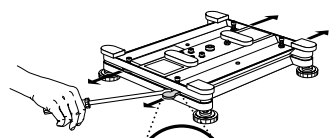
1 Remove Scale and Accessories from carton.




4 Attach Indicator to Bracket. Attach Bracket to Column.



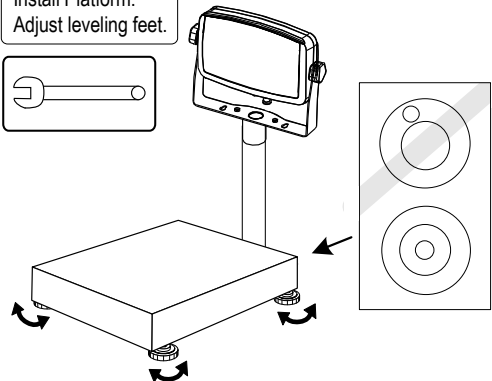
2  Remove Shipping Spacers.**



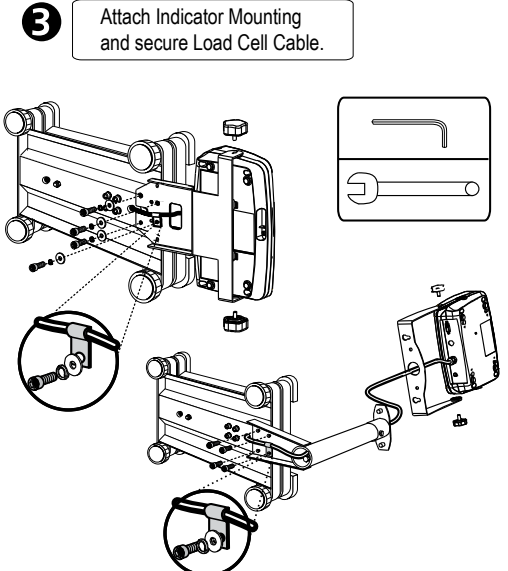
**Not included with some models.



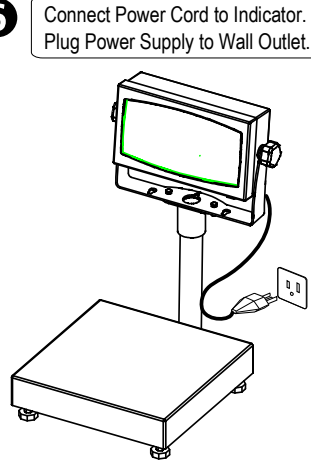
5 Install Platform. Adjust leveling feet.

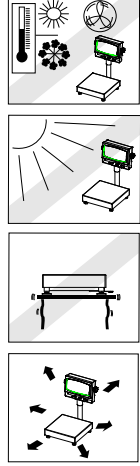


3 Attach Indicator Mounting and secure Load Cell Cable.



6 Connect Power Cord to Indicator. Plug Power Supply to Wall Outlet.





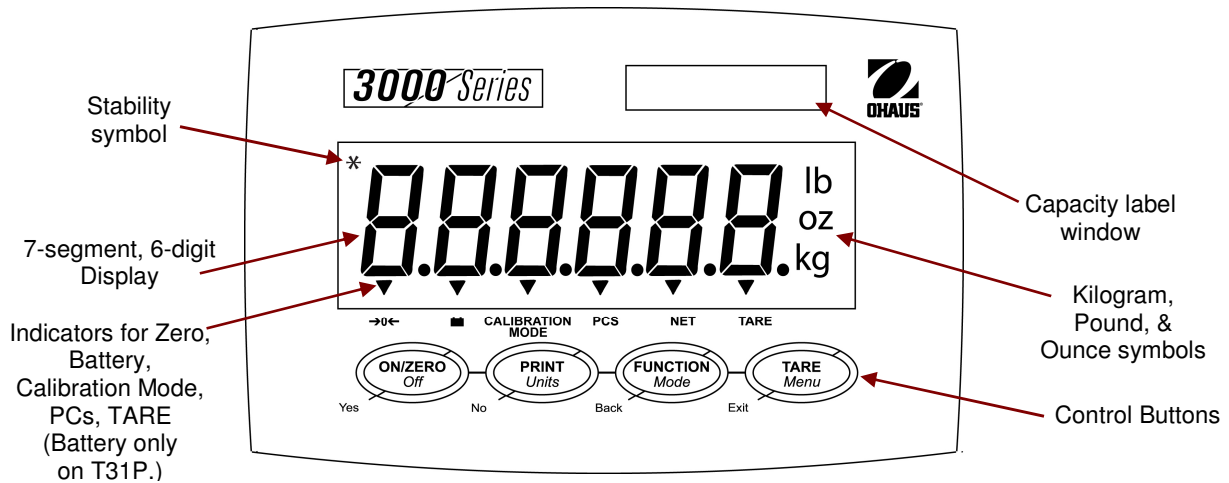
The T31XW is supplied with a grounded power cable. Use only with a compatible grounded power outlet.





SAFETY PRECAUTIONS



For safe and dependable operation of this product, please comply with the following safety precautions:

- Verify that the input voltage printed on the power Adapter and the plug type matches the local power supply.
- Make sure that the power cord does not pose an obstacle or tripping hazard.
- Disconnect the product from the power supply when cleaning.
- Do not operate this product in hazardous or unstable environments.
- Do not drop loads on the pan.
- Use only approved accessories and peripherals, as available.
- Operate the product only under ambient conditions specified in the Instruction Manual.
- Service should be performed by authorized personnel only.



Button				
Primary Function (Short Press)	ON/ZERO Turns Indicator on. If indicator is on, sets zero.	PRINT Sends the current value to the COM port if AUTOPRINT is set to Off.	FUNCTION Initiates an application mode.	TARE Performs a tare operation.
Secondary Function (Long Press)	Off Turns Indicator off.	Units Changes the weighing unit.	Mode Allows changing the application mode. Press and hold allows scrolling through modes.	Menu Enter the User menu.
Menu Function (Short Press)	Yes Accepts the current setting on the display.	No Advances to next item. Rejects current setting, advances to next available setting. Increments the value.	Back Moves back to previous menu item. Decrements the value.	Exit Exits the User menu. Aborts a calibration in progress.

OPERATION

To turn the Indicator on, press and hold **ON** for two seconds. The Indicator performs a display test, momentarily displays the software version, and then enters the active weighing mode.



To turn Indicator off, press and hold **Off** until **OFF** appears.

Zero is set under the following conditions:

- Automatically at Power On (initial zero).
- Manually: press **ZERO**. (Scale must be stable and within the zero range.)



Manual Tare: When weighing an item that must be held in a container, taring stores the container weight in memory. Place the empty container on the scale (example 0.5 kg) and press the **TARE** button.



The display will show the net weight.

To clear the Tare value, empty the scale and press **TARE**. The display shows gross weight (zero if scale is empty).

Weighing: Place the item to be weighed on the scale. (Sample shown: 1.5 kg, Gross weight.)



Note: To return to the Weighing mode from Parts Counting mode, press and hold **Mode** until **WEIGH** appears.



Verify the indicator: place a known mass on the scale and check if the reading is accurate. If not, calibrate, using the Calibration Guide.

ADDITIONAL OPERATIONS

Parts Counting: Use this mode to count parts of uniform weight. The Indicator determines the quantity based on the average weight of a single part. All parts must be uniform in weight for accurate measurements.



To enter this mode, press and hold **Mode** until **Count** appears.

Note: Count must first be enabled in the **Mode** menu. (See back page.)

Average Piece Weight (APW): When **Mode** is released, **CLr.PW** appears. Press **Yes** to clear the stored APW. Press **No** to recall the existing APW. **APW** appears. Press **Mode** to display the APW value.



(If no APW was previously stored, **CLr.PW** is skipped; **PUt10Pcs** appears.)

Place 10 pieces on the scale, or press **No** to increment the sample size. Choices are 5, 10, 20, 50, 100 and 200.



Place the parts on the scale and read the count.

(If using a container, be sure to tare the empty container first.)

Changing Units of Measure: Press and hold **Units** until the desired measuring unit appears. Only units enabled in the Unit Menu are displayed. (See back page.)



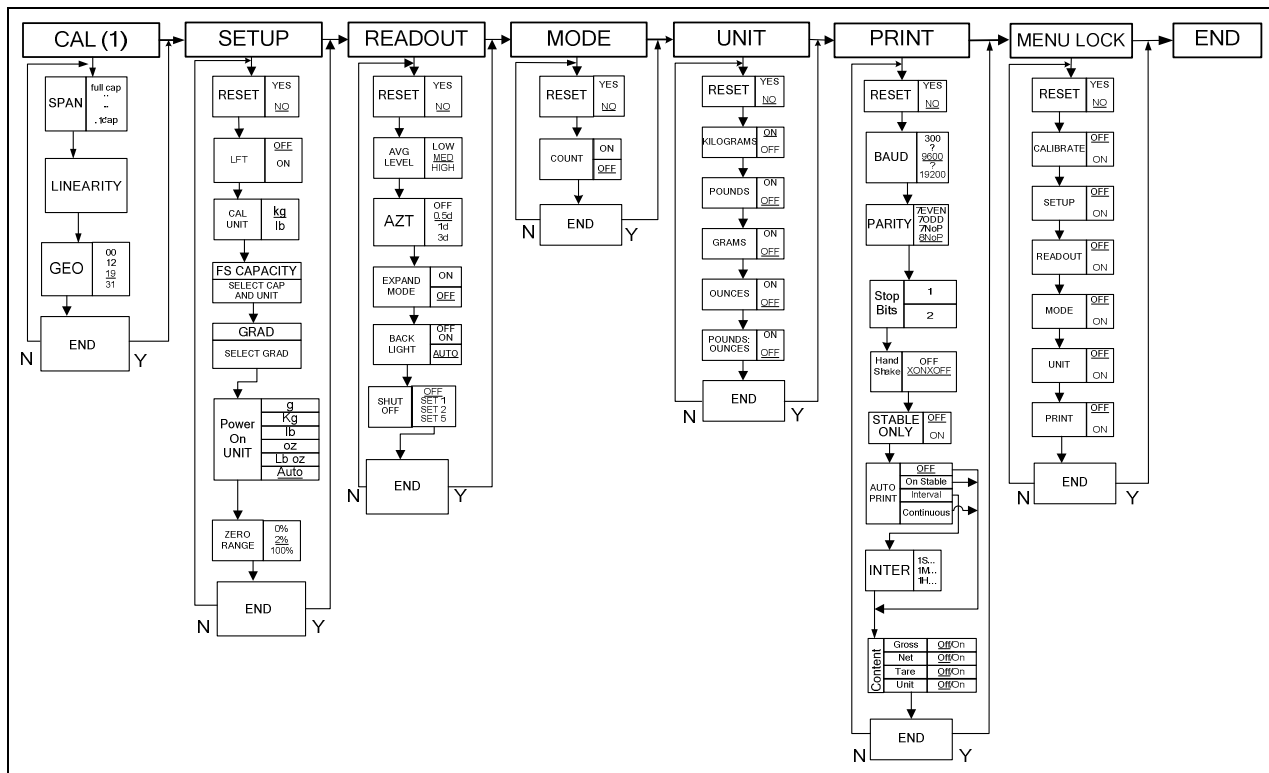
MENU NAVIGATION

Press and hold **Menu** until MENU appears.

Use **Yes**, **No**, **Back**, and **Exit** to navigate:

- **Yes** Allows entry into the displayed menu.
Accepts the displayed setting and advances to the next menu item.
- **No** Skips by the displayed menu.
Rejects the displayed setting or menu item and advances to the next available item.
- **Back** Moves backwards through the upper and middle level menus.
Backs out of a list of selectable items to the previous middle level menu.
- **Exit** Exits from menu directly to the active weighing mode.

MENU SETUP



P/N 80252986